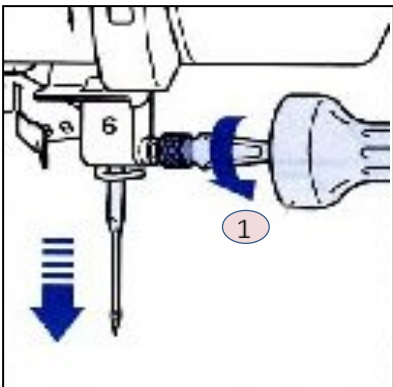


HOW TO CLEAN YOUR EMBROIDERY MACHINE

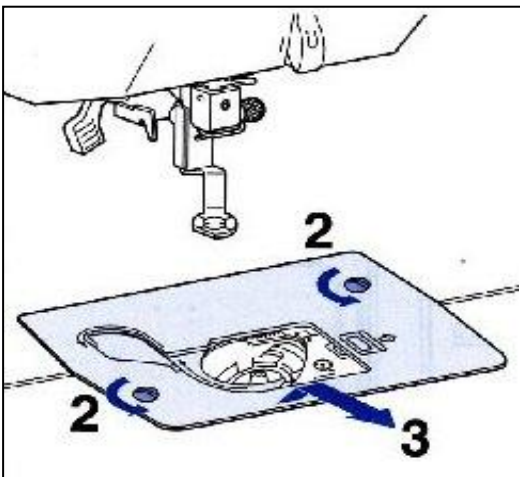
Always keep the machine clean

Use only a drop of oil per point. Use sewing machine oil, or some other high-quality refined mineral machine oil. Avoid poor quality oils and vegetable oil which may result in unsmooth operation or unusual wear of the machine

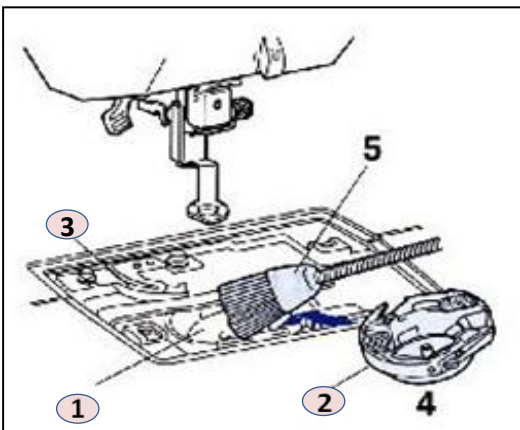


1. Turn off the power, remove the presser foot holder and the needle. Raise the presser foot lever.

- 1 Use a screwdriver to loosen the screw to remove



2. Loosen the screws on the needle plate
3. Remove the needle plate

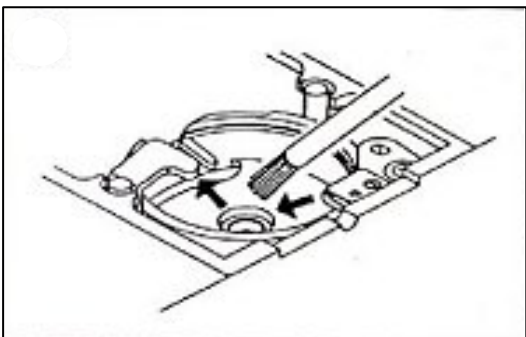


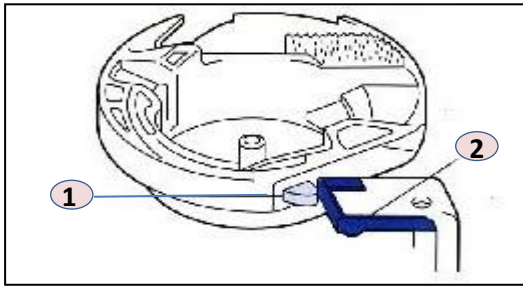
4. Take out the inner rotary hook
5. Remove any accumulated lint and threads from the inner hook and race and from around the thread cutting knife with a brush or a small vacuum cleaner attachment

- 1 Race
- 2 Inner rotary hook
- 3 Thread cutting knife

Lint and dust accumulated in the race can cause poor quality stitching. In addition, if threads have accumulated around the thread cutting knife, it may prevent proper cutting of the thread.

NOTE: Put a drop of sewing machine oil on the shuttle race as indicated by the arrow





6. Put the inner rotary hook back in position by placing the projection of the hook next to the spring of the stopper.

- ① Projection of the hook
- ② Spring of the stopper