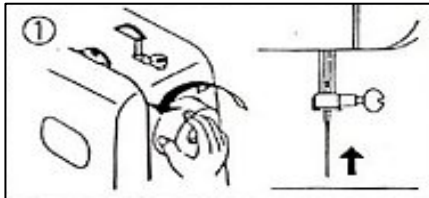


CARING FOR YOUR SEWING MACHINE

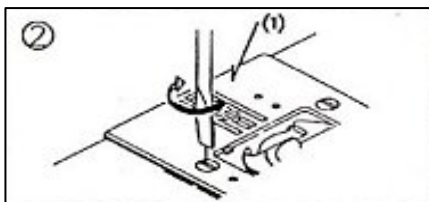
To ensure the best possible operation of your machine, it is necessary to keep the essential parts clean at all times.

Use only a drop of oil per point. Use sewing machine oil, or some other high-quality refined mineral machine oil. Avoid poor quality oils and vegetable oil which may result in unsmooth operation or unusual wear of the machine

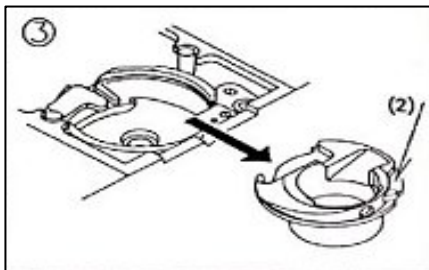
Cleaning the feed dog and shuttle area



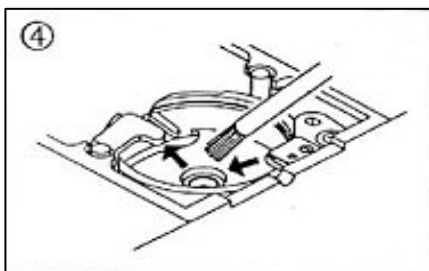
1 Raise the needle to its highest position



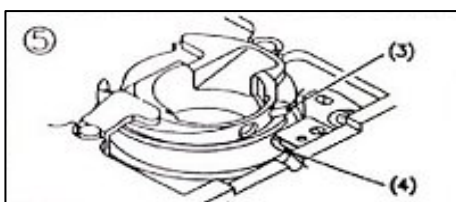
2 Remove the needle plate (1)



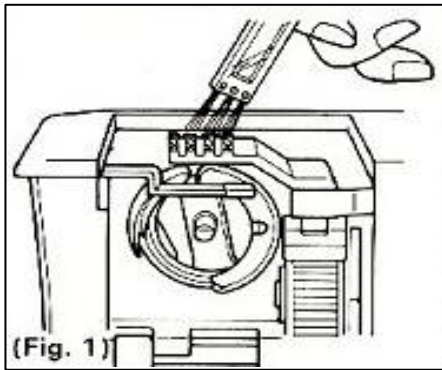
3 Remove the bobbin case (2)



4 Clean the feed dogs and shuttle area with lint brush.
NOTE: Put a drop of sewing machine oil on the shuttle race
as indicated by the arrow

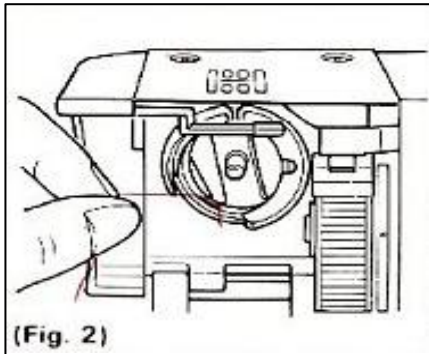


5 Replace the bobbin case with the projection (3), positioned
against the spring (4). Replace the needle plate



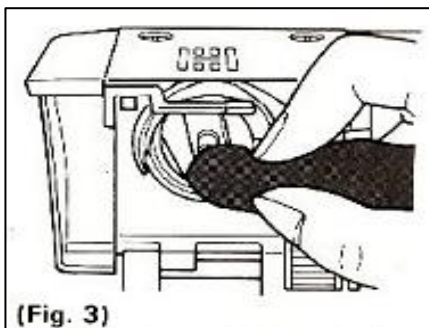
CLEANING SHUTTLE HOOK AND FEED DOG

Take off the parts in the way, and completely clean the area with a brush. Turn the hand wheel slowly counterclockwise to make sure every corner has been cleaned, and replace the dismantled parts in reverse sequence. Take particular care to thoroughly remove the dust under the feed dog.



FREEING JAMMED THREAD

To release the thread jammed in the shuttle hook, pull the end of the thread while turning the hand wheel back and forth a little at a time



CLEANING AND OILING SHUTTLE HOOK

Clean and oil the shuttle hook in the following manner. Turn the hand wheel until the needle bar reaches its top position, and tilt the head of the machine away from you. Remove the bobbin case, and clean every part with a piece of oily cloth.

Thoroughly clean every sliding part with a clean piece of cloth dampened with sewing machine oil.